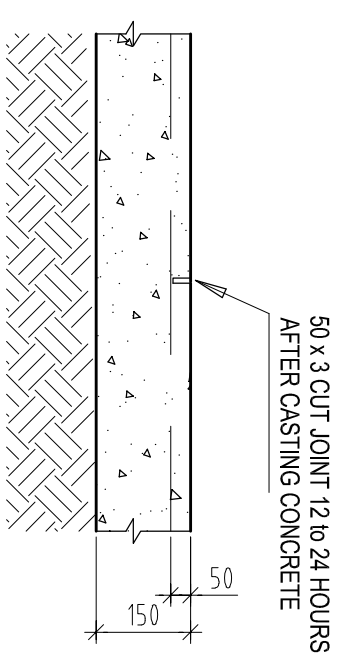


PLAN - FOUNDATION/SURFACEBED LAYOUT

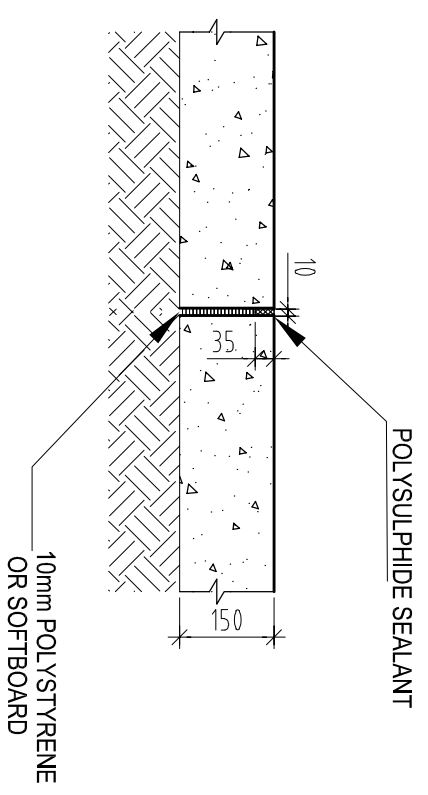
SCALE: 1:50



SAW CUT JOINT (SCJ)

NOTE:
ALL TIMBER TO BE
CCA TREATED AS PER
SANS 10005

NOTE:
HOOP IRONS TO BE FIXED TO TIMBER
POLES AND LAID ALONG BLOCK WORK
AT CENTERS NOT EXCEEDING 400mm



EXPANSION JOINT (EXJ)

CONCRETE:
SURFACEBED: 25MPa

OAKFORD PRIORITY HOUSING PROJECT
PIG PEN LAYOUT AND DETAILS



ontwerp designed	L.Rengasamy	REF. DRG.	DWG. NO.
geteken drawn	L.Rengasamy	DATE	A306-311
nagesien checked	R.KHAN	SEPT 2018	REV. No. 1